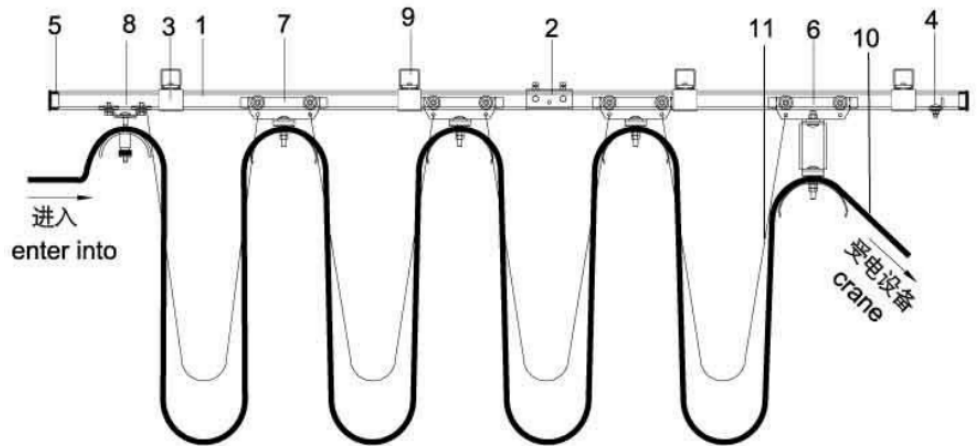
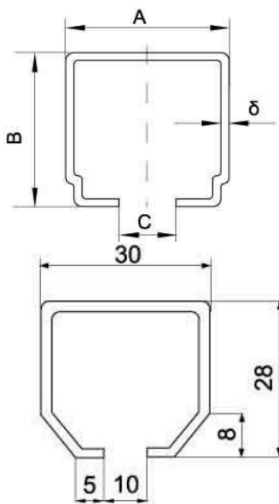


System photo

- 1 C-Track
- 2 Joint
- 3 Hanger
- 4 End Stop
- 5 End Cap
- 6 Towing Trolley
- 7 Middle Trolley
- 8 End Trolley
- 9 Bracket Support
- 10 Cable
- 11 Steel wire



C-Tracks



Type	C32*30*5	C40*40*2.0	C63*63*4.0	C30*28*1.5
Cat.-NO	710116*	720116*	750116*	700116*
Material	Galvanized steel			
Weight Kg/m	1.19	2.00	5.98	1.03
Technical data				
A	32	40	63	30
B	30	40	63	28
C	12	13	18	10
δ	1.5	2.0	4.0	1.5
Spacing	Max. Cable Load			
1.5m	89kg	188kg	503kg	70kg
2.0m	51kg	103kg	425kg	36kg
2.5m	39kg	73kg	302kg	22kg
3.0m	23kg	49kg	195kg	-
4.0m	-	28kg	85kg	-

General

Komay Festoon Systems support conductor cables (flat or round) and hoses (hydraulic and pneumatic application for delivering power & control to mobile equipment in a safe, efficient and maintenance free method.

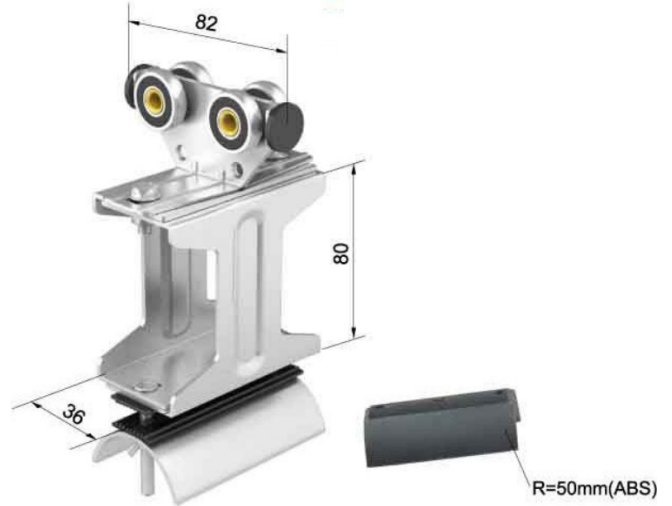
The cable trolleys are well guided inside their C-tracks and protected against humidity, dust and icing. Komay cable trolleys not only deliver power and control to mobile equipment which has reciprocal motion but also support large quantities of data cables including optic fibers traveling independently from the mobile machinery. The relevant control carriers with and without push button lifting are also shown in this catalog.

Towing Trolley

C32SC-75



C32SC-70

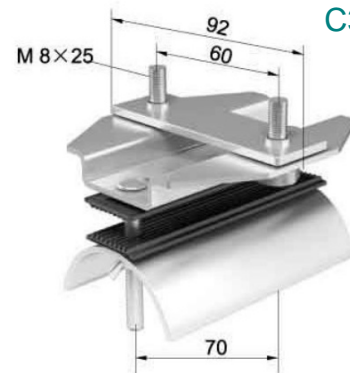


End Trolley (32)



C32EC-75*

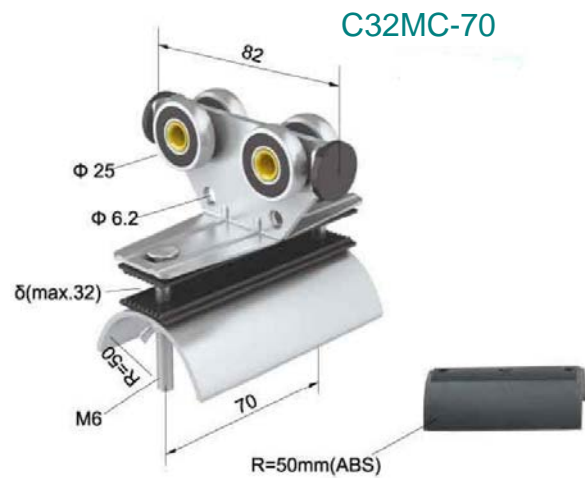
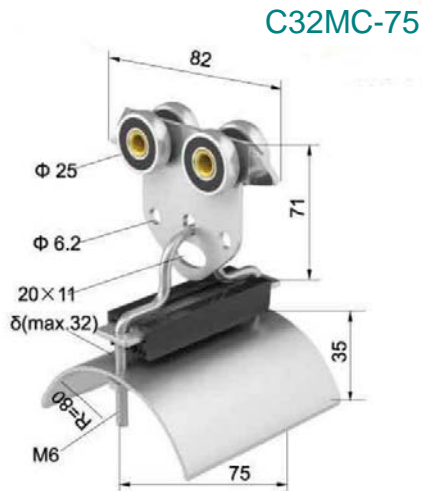
It can be used for C32/C40 C-Track.



C32EC-70

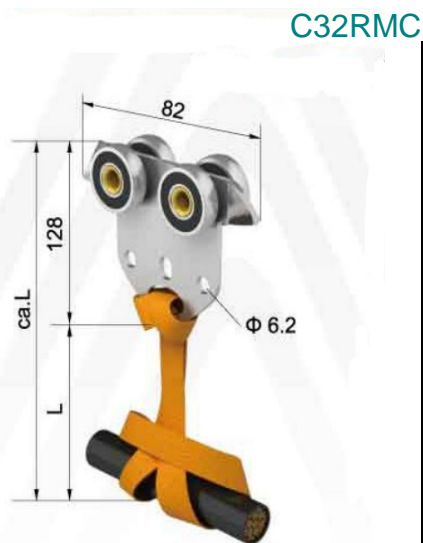
Type	C32SC-75/C32SC-70	C32EC-75/C32EC-70
Wheels	Ball bearing, hardened, galvanized Temperature resistance Lub. grease:-30 Traveling Speed: ca. 160m/min.	°Cto+125°C
Material	Carrier body: steel, galvanized Support saddle:steel, galvanized Bumper:Neoprene Dowel: Brass Hardware: galvanized Temperature resistance:-30	°Cto+100°C
Max.cable load	max.25 kg per carrier	max.25 kg per carrier
Dim.of Cable (mm)	max. 75W×32δ/max. 70W×32δ	max. 75W×32δ/max. 70W×32δ
Weight(kg)	0.61/0.59	0.39/0.32
Cat.-NO.	711101/711105 711102(R=50,ABS)	711301/711305 711302(R=50,ABS)

Middle Trolley(32)



Type	C32MC-75	C32MC-70
Wheels	Ball bearing, hardened, galvanized Temperature resistance Lub. grease of wheel: -30 °C to +125 °C Traveling Speed: ca. 160m/min.	
Material	Carrier body: steel, galvanized Support saddle: steel, galvanized Bumper: Neoprene Dowel: Brass Hardware: galvanized Temperature resistance: -30 °C to +100 °C	
Max.cable load	Max.30 kg per carrier	Max.25 kg per carrier
Dim.of Cable (mm)	max. 75W×32δ	max. 75W×32δ
Weight(kg)	0.415	0.295
Cat.-NO.	711101 711102(R=50,ABS)	711205

Trolley for Round Cable

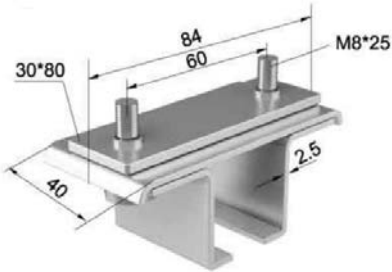


Type	C32RMC
Wheels	Ball bearing, hardened, galvanized Temperature resistance Lub. grease of wheel: -30 °C to +125 °C Traveling Speed: ca. 160m/min.
Material	Carrier body: steel, galvanized Support saddle: steel, galvanized Bumper: Neoprene Dowel: Brass Hardware: galvanized
Max.cable load	Max.22 kg per carrier
Dim.of Cable (mm)	Max.d=55mm/D=88mm/D=160mm
Weight(kg)	0.29
Cat.-NO.	711206(D=50,L=160) 711208(D=80,L=190) 711210(D=60,L=270)

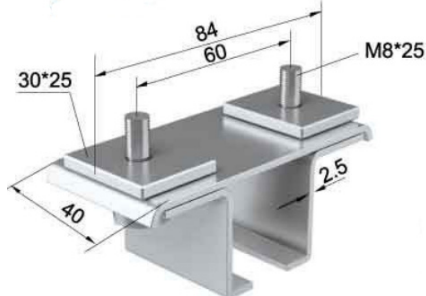
Hanger C32DJ

for C-track Support Bracket

C32DJ-1

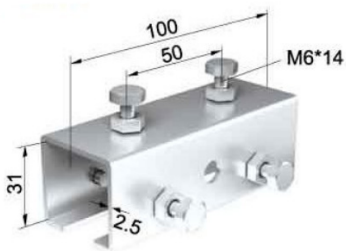


C32DJ-2



Type	Weight kg	Material	Order-No.
C32DJ-1	0.218	Galvanized steel	7141101
C32DJ-2	0.223	Galvanized steel	7141102

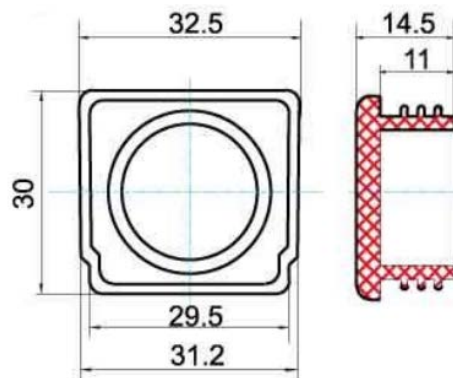
Joint Clamp C32JT



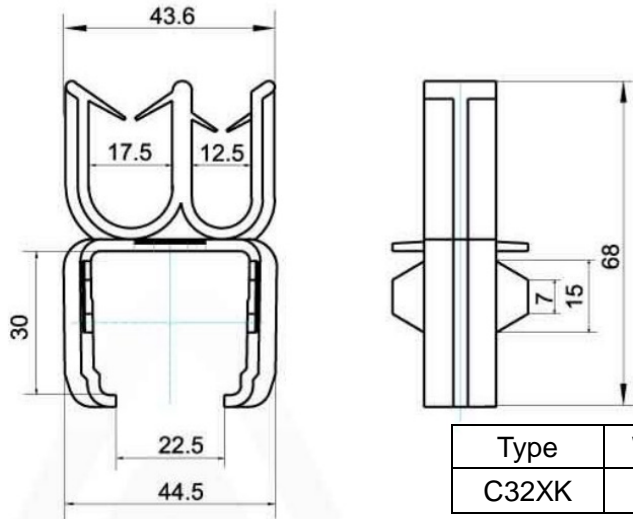
ready installed

Type	Weight kg	Material	Order-No.
C32JT-1	0.284	Galvanized steel	713401
C32JT-2	0.265	Galvanized steel	713402

End Cap C32DM

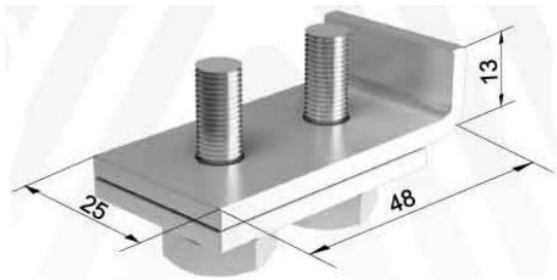


Cable clip C32XK



Type	Weight kg	Material	Order-No.
C32XK	0.022	Plastics	713718

End Stop C32DZ



It can be used for C32/C40 C-Track.

Type	Weight kg	Material	Order-No.
C32DZ	0.05	Galvanized steel	713702