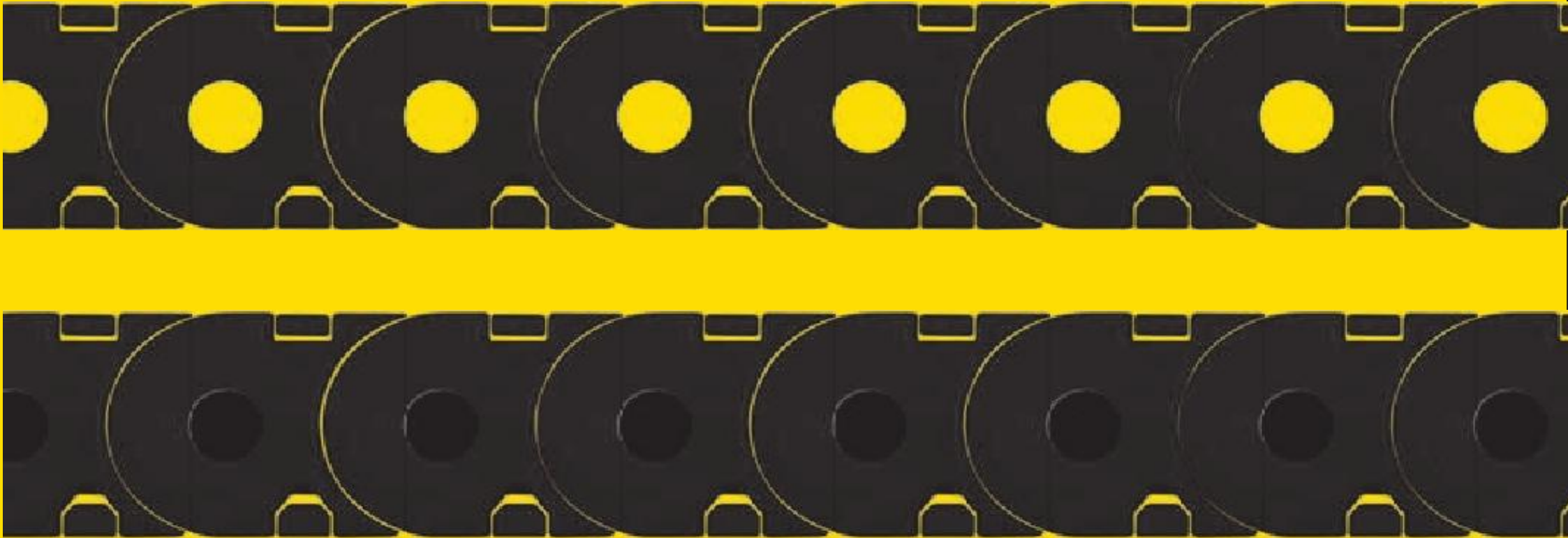


Mini Cable chain

Science and Technology create a better life



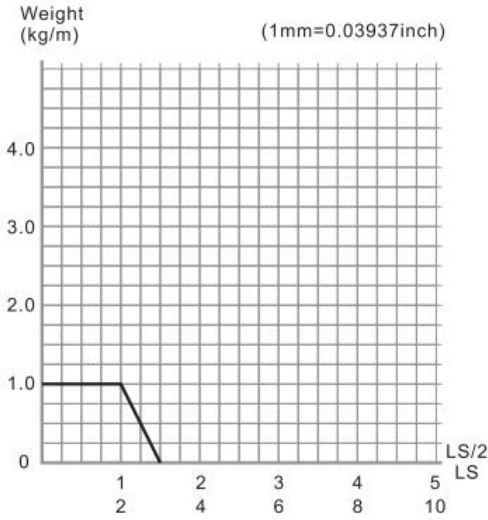
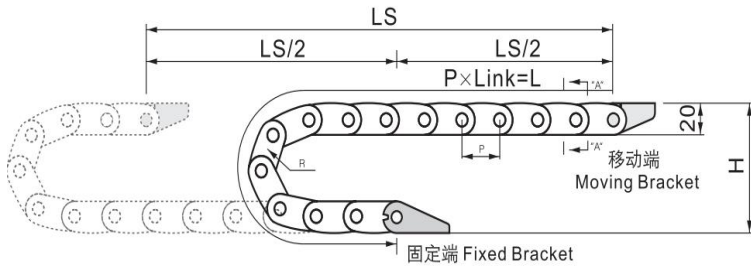
Company: Wuxi Komay Electric Equipment Co. Ltd
Web: www.komary.com.cn www.komay.com.cn
Tel: 86-510-88227833
Fax: 86-51088227834
E-mail: marketing@komay.com.cn



- CHAIN MATERIAL: REINFORCED NYLON
- LOW NOISE
- LOW MOTE
- APPLICATION: PRINING MACHINE
FEEDER UNIT
COUNT MACHINE
- TEMPERATURE: -30°C~+130°C
- SPEED: 10M/SEC

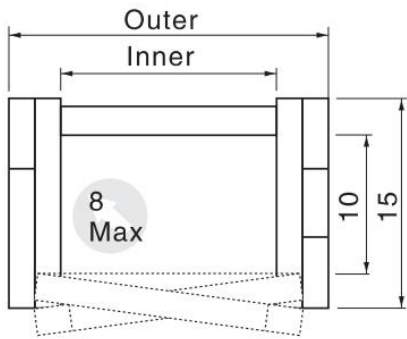
Series	Inner high (mm)	Inner width (mm)	Outer high (mm)	Outer width (mm)	Bending Radius (mm)	Pitch (mm)	Overhead Max Length (m)	Max stroke(m)
K10	10	10 15 20	14	18 23 28	18 28 38	20	1.8	60
K15	15	20 30 40 50	20	28 38 48 58	28 38 48	20	2.0	75
K18	18	18 25 37 50	23	29 36 48 61	28 38 48 75	30	2.8	85

Length Calculation



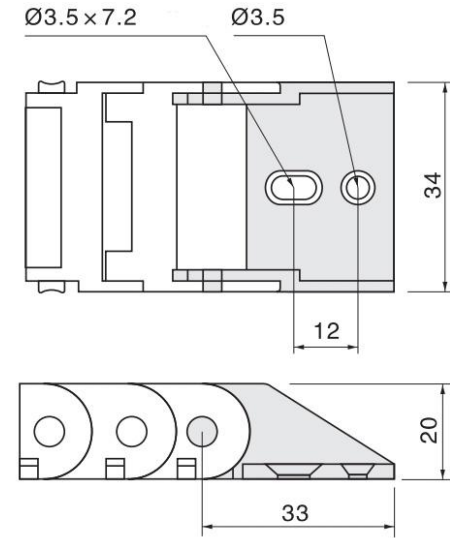
$$\left[L = \frac{LS}{2} + \pi \times R + 80 \right]$$

- L: Length
- R: Bending Radius
- H: Installation Height
- P: Pitch
- 80: Safety Length

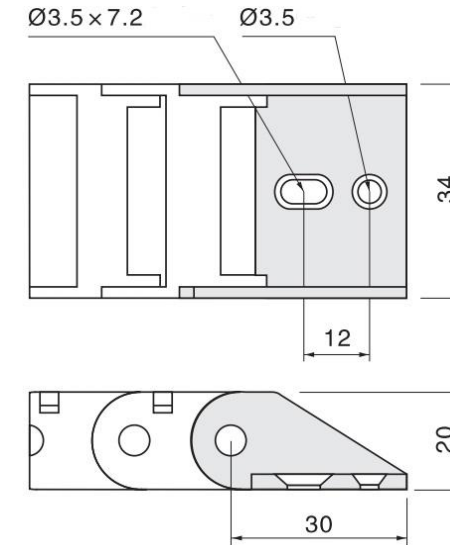


series	Inner high (mm)	Inner Width (mm)	Radius (mm)	Pitch (mm)
K1000	10	10	18 28 38	20
	10	15	18 28 38	20
	10	20	18 28 38	20

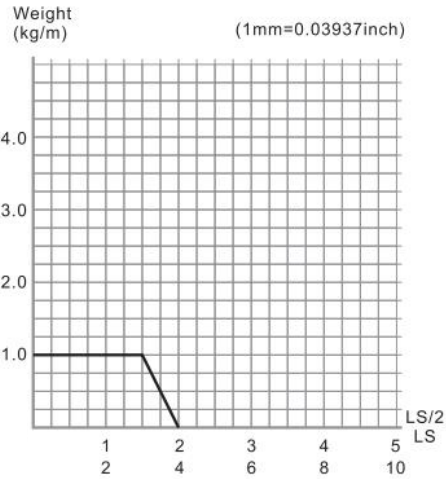
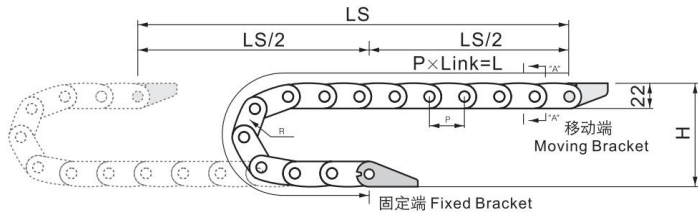
Fixed Bracket



Moving Bracket

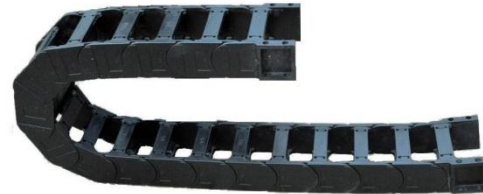
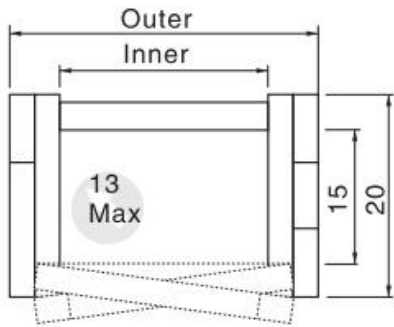


Length Calculation



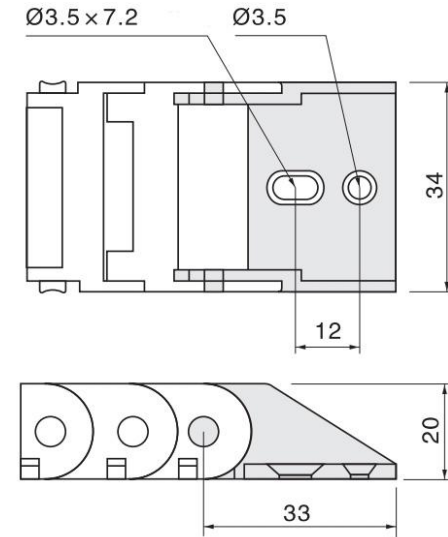
$$\left[L = \frac{LS}{2} + \pi \times R + 80 \right]$$

- L: Length
- R: Bending Radius
- H: Installation Height
- P: Pitch
- 80: Safety Length

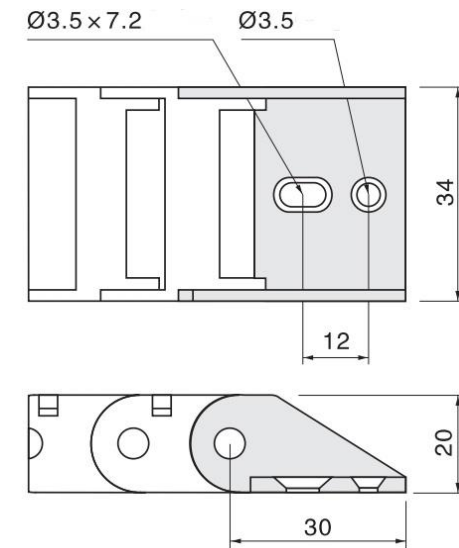


series	Inner high (mm)	Inner Width (mm)	Radius (mm)	Pitch (mm)
K1500	15	20	28 38 48	20
	15	30	28 38 48	20
	15	40	28 38 48	20
	15	50	28 38 48	20

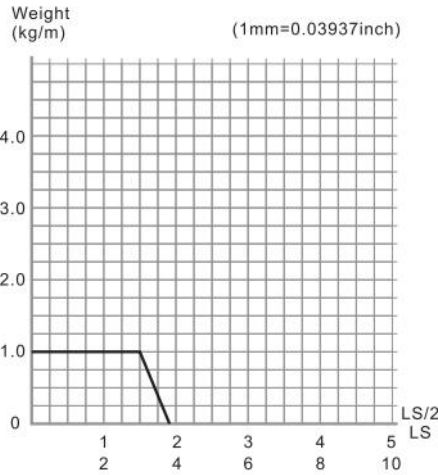
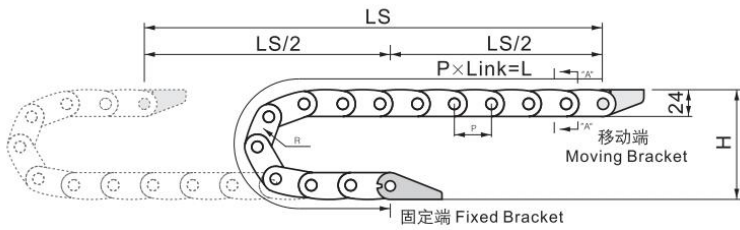
Fixed Bracket



Moving Bracket

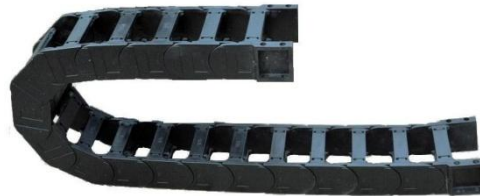
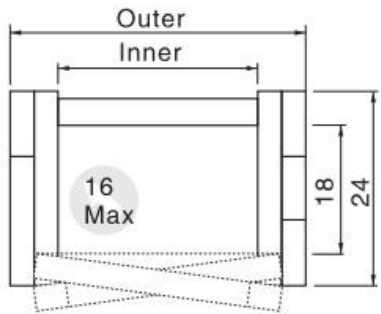


Length Calculation



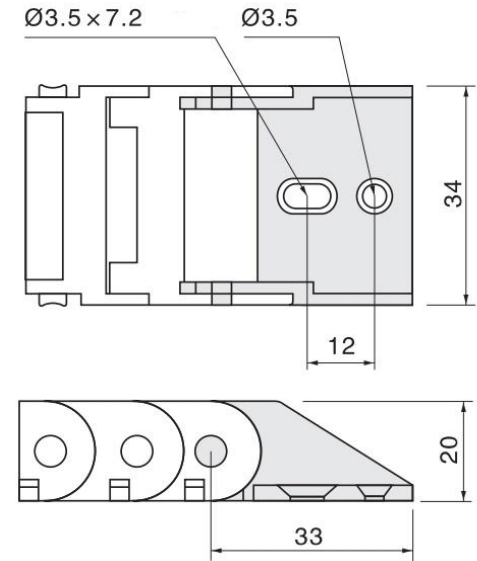
- L: Length
- R: Bending Radius
- H: Installation Height
- P: Pitch
- 80: Safety Length

$$L = \frac{LS}{2} + \pi \times R + 132$$



series	Inner high (mm)	Inner Width (mm)	Radius (mm)	Pitch (mm)
K1800	18	18	28 38 48 75	30
	18	25	28 38 48 75	30
	18	37	28 38 48 75	30
	18	50	28 38 48 75	30

Fixed Bracket



Moving Bracket

